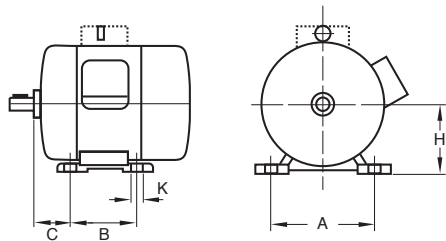


IEC MOUNTING DIMENSIONS*

FOOT-MOUNTED AC AND DC MACHINES



* Dimensions in inches

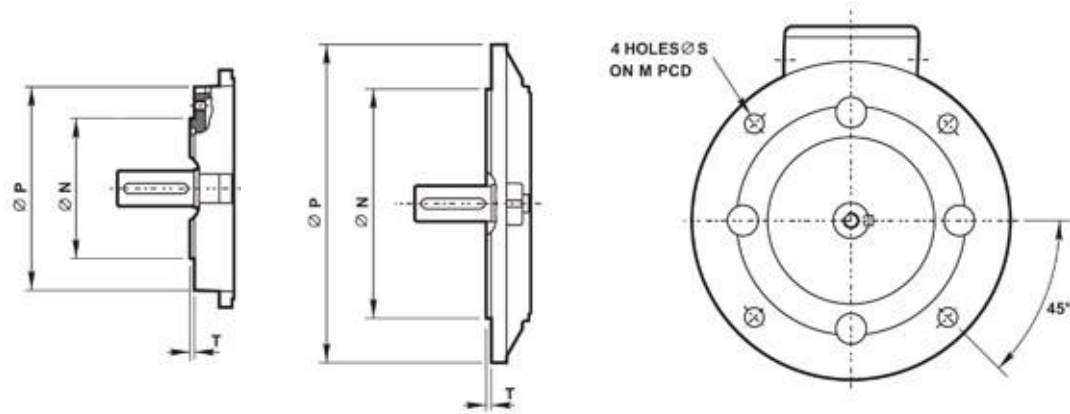
FRAME NUMBER	H	A	B	C	K	BOLT OR SCREW
56 M	2.20	3.55	2.80	1.40	0.23	M5
63 M	2.48	3.95	3.15	1.55	0.28	M6
71 M	2.79	4.40	3.55	1.75	0.28	M6
80 M	3.14	4.90	3.95	1.95	0.40	M8
90 S	3.54	5.50	3.95	2.20	0.40	M8
90 L	3.54	5.50	4.90	2.20	0.40	M8
100 S	3.93	6.30	4.40	2.50	0.48	M10
100 L	3.93	6.30	5.50	2.50	0.48	M10
112 S	4.40	7.50	4.50	2.75	0.48	M10
112 M	4.40	7.50	5.50	2.75	0.48	M10
132 S	5.19	8.50	5.50	3.50	0.48	M10
132 M	5.19	8.50	7.00	3.50	0.48	M10

160 S	6.29	10.00	7.00	4.25	0.58	M12
160 M	6.29	10.00	8.25	4.25	0.58	M12
160 L	6.29	10.00	10.00	4.25	0.58	M12
180 S	7.08	11.00	8.00	4.75	0.58	M12
180 M	7.08	11.00	9.50	4.75	0.58	M12
180 L	7.08	11.00	11.00	4.75	0.58	M12
200 S	7.87	12.50	9.00	5.25	0.73	M16
200 M	7.87	12.50	10.50	5.25	0.73	M16
200 L	7.87	12.50	12.00	5.25	0.73	M16
225 S	8.85	14.00	11.25	5.85	0.73	M16
225 M	8.85	14.00	12.25	5.85	0.73	M16
250 S	9.84	16.00	12.25	6.60	0.95	M20
250 M	9.84	16.00	13.75	6.60	0.95	M20
280 S	11.02	18.00	14.50	7.50	0.95	M20
280 M	11.02	18.00	16.50	7.50	0.95	M20
315 S	12.40	20.00	16.00	8.50	1.11	M24
315 M	12.40	20.00	18.00	8.50	1.11	M24
355 S	13.97	24.00	19.70	10.00	1.11	M24
355 M	13.97	24.00	22.05	10.00	1.11	M24
355 L	13.97	24.00	24.80	10.00	1.11	M24
400 S	15.74	27.00	22.05	11.00	1.38	M30
400 M	15.74	27.00	24.80	11.00	1.38	M30
400 L	15.74	27.00	27.95	11.00	1.38	M30

IEC Stds. 60072-1:1991.

Dimensions, except for bolt and screw sizes, are shown in inches (rounded off). Bolt and screw sizes are shown in millimeters.

For tolerances on dimensions, see IEC Stds. 60072-1:1991, 6.1, Foot-Mounted Machines, Table 1. (Note: Data in IEC tables is shown in millimeters.)



IEC Dimensions (millimeters)

B5 (D-FLANGE)

B14 (C-FACE)

Frame Size	D FLANGE (B5)					C FACE (B14)				
	N	M	P	S	T	N	M	P	S	T
63	95	115	140	10	3	60	75	90	M5	2.5
71	110	130	160	10	3.5	70	85	105	M6	2.5
80M	130	165	200	12	3.5	80	100	120	M6	3.0
90S	130	165	200	12	3.5	95	115	140	M8	3.0
90L	130	165	200	12	3.5	95	115	140	M8	3.0
100L	180	215	250	14.5	4	110	130	160	M8	3.5
112M	180	215	250	14.5	4	110	130	160	M8	3.5
132S	230	265	300	14.5	4	130	165	200	M10	3.5
132M	230	265	300	14.5	4	130	165	200	M10	3.5
160M	250	300	350	18.5	5	180	215	250	M12	4.0
160L	250	300	350	18.5	5	180	215	250	M12	4.0
180M	250	300	350	18.5	5	-	-	-	-	-
180L	250	300	350	18.5	5	-	-	-	-	-
200L	300	350	400	19	5	-	-	-	-	-
225S	350	400	450	19	5	-	-	-	-	-
225M	350	400	450	19	5	-	-	-	-	-
250M	450	500	550	19	5	-	-	-	-	-
280S	450	500	550	19	5	-	-	-	-	-
280M	450	500	550	19	5	-	-	-	-	-
315S	450	500	550	19	5	-	-	-	-	-
315M	550	600	650	24	6	-	-	-	-	-
315L	550	600	650	24	6	-	-	-	-	-