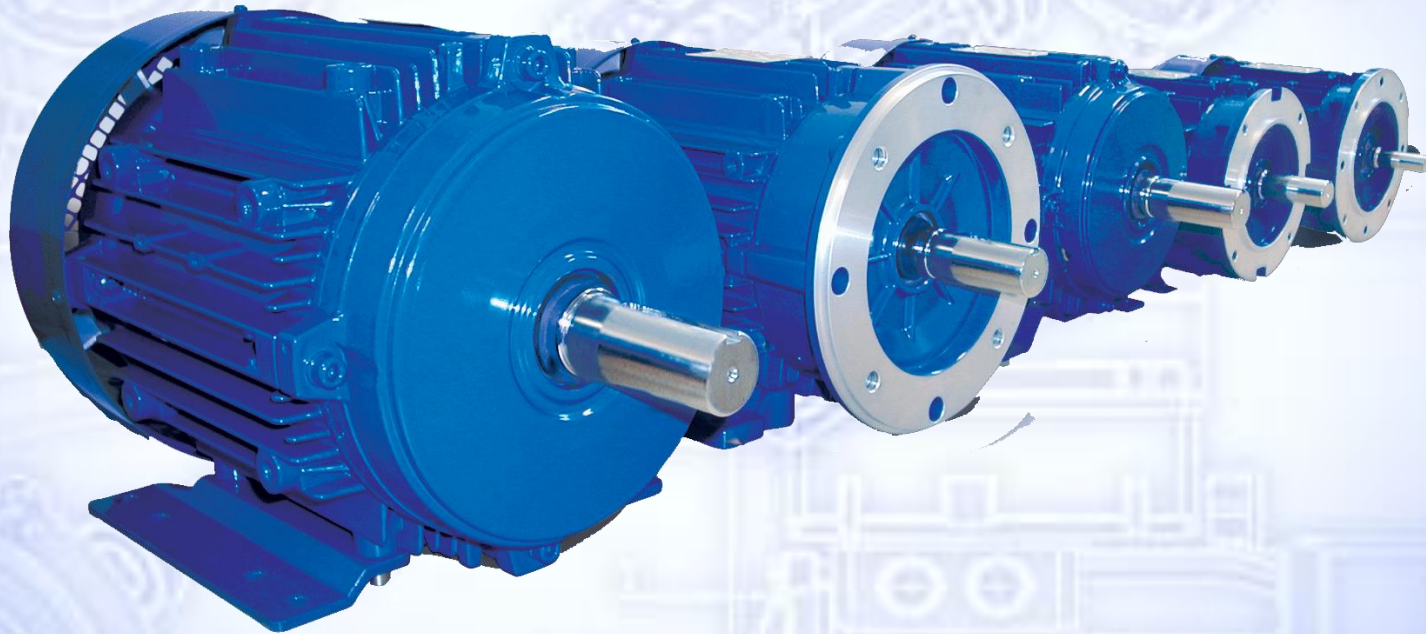




***ELECTRIC MOTORS N.A.***



***“THE METRIC MOTOR SPECIALISTS”***





# FEATURES

- COMPLETE METRIC AC PRODUCT LINE
- MULTI-MOUNT, WITH PRE-TAPPED HOLES – FROM 63 TO 180 FRAME ALLOWING ANY T-BOX CONFIGURATION (F1,F2,F0)
- REMOVABLE FEET – 63 TO 180 FRAME
- IP55 ENCLOSURE – WASHDOWN WITH PRESSURE HOSE
- 1.15 SERVICE FACTOR
- EPACT APPROVED CE UL AND CSA – ISO9001
- FULL RANGE OF INCREASED AND REDUCTION FLANGES (SOME SIZES REQUIRE SHAFT MODIFICATION TO INSTALL)
- LARGE MOTOR INVENTORY IN ATLANTA, GEORGIA, SANTA ROSA, ANAHEIM, CA., CHICAGO IL, KALAMAZOO MI, AND MISSISSAUGA ONTARIO CANADA.
- SUITABLE FOR INVERTER DUTY 10:1 VARIABLE – 4:1 CONSTANT (80 FRAME AND ABOVE)





# **PRODUCT RANGE**

- **3 PHASE**
- **TYPE: MTEPS – HIGH EFFICIENCY**
- EPACT APPROVED 90L TO 180L FRAME ARE
- 200L FRAME AND HIGHER CAST IRON AVAILABLE FROM THE FACTORY
- **TYPE MTOML**
- 56 TO 80 FRAME
- INCREASED OUTPUT MOTORS, HIGHER RATINGS IN SMALLER FRAMES IN STOCK
- **TYPE DPOML – TWO SPEED**
- 2 AND 4 POLE, 4 AND 8 POLE IN STOCK TO 112 FRAME





**ELECTRIC MOTORS N.A.**

## **PRODUCT RANGE**

- **1 PHASE**
- **TYPE MMDSG/DMDSG**
- HIGH STARTING TORQUE: 1/2HP TO 3.5HP - 63 TO 100 FRAME 2 AND 4 POLE
- CAP START CAP RUN - INDUSTRIAL & AGRICULTURAL APPLICATIONS
- **TYPE MMOML/DMOML**
- LOW STARTING TORQUE: .12HP TO 3.5HP - 100FRAME 2 AND 4 POLE
- PERMANENT CAPACITOR - FANS BLOW APPLICATIONS
- SINGLE VOLTAGE OF 110V OR 230V
- DUAL VOLTAGE 115/230V

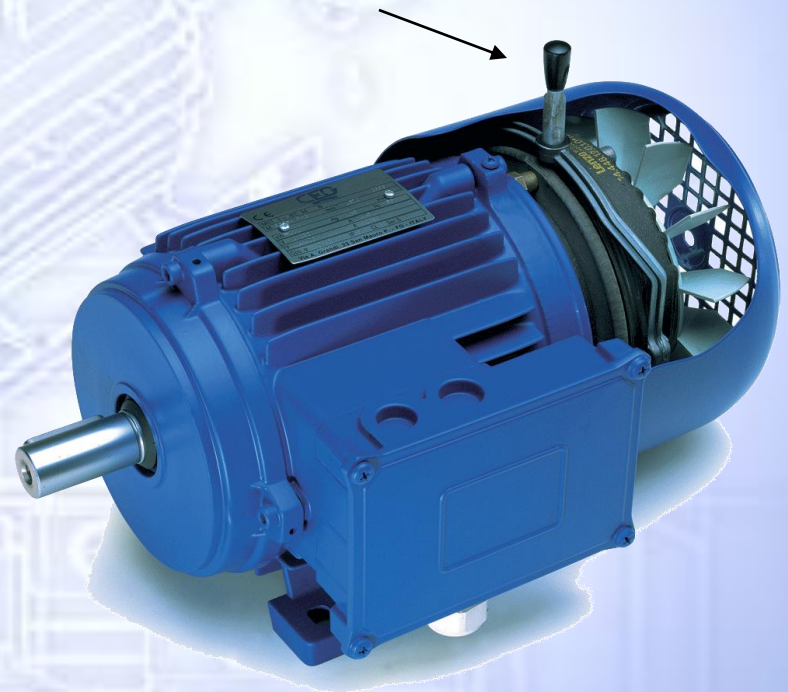


# **PRODUCT RANGE**

- **BRAKE MOTORS**

- **TYPE MTFHC**
  - STANDARD 3 PHASE WITH LENZE DC RECTIFIED BRAKES 2,4,6 AND 8 POLE
  - **TYPE DPFHC**
  - TWO SPEEDS, 3 PHASE WITH LENZE BRAKES
  - **TYPE MMFHC**
  - 1 PHASE DESIGN WITH LENZE BRAKE, COMPACT (GRADUAL) BRAKES AND HIGH TORQUE AC BRAKES
- ALSO AVAILABLE FROM FACTORY

MANUAL BRAKE  
RELEASE OPTIONAL



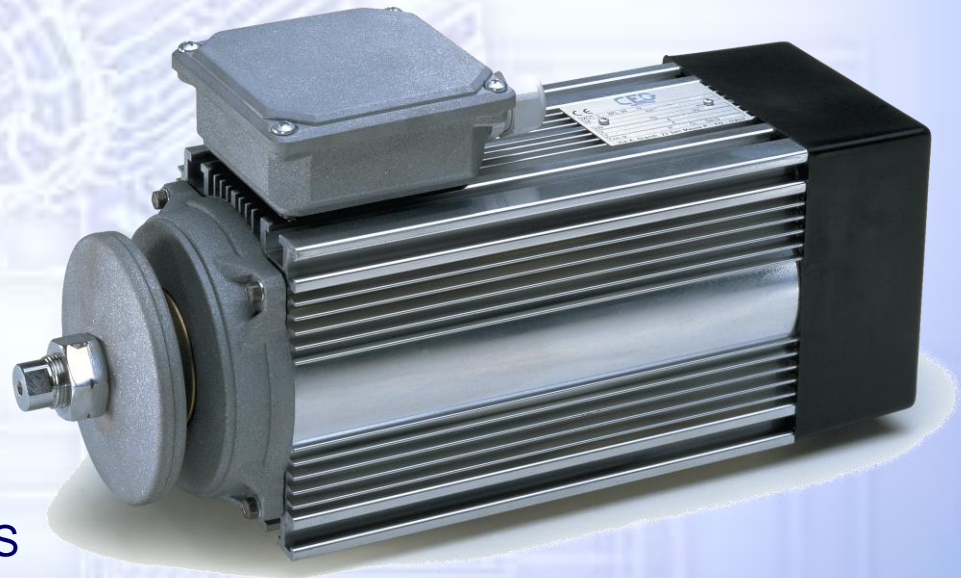




**ELECTRIC MOTORS N.A.**

# **PRODUCT RANGE**

- **SAW ARBOUR MOTORS**
  - **TYPE EMOML AND ETSTD**
  - 3 PHASE SAW ARBOUR MOTORS  
1 PHASE AVAILABLE FROM FACTORY
  - SUITABLE FOR HIMMEL REPLACEMENTS
  - AVAILABLE WITH BRAKES
  - KEYED SHAFT OR LOCKING COLLARS
  - SPECIFY LEFT OR RIGHT HAND THREAD
  - MOUNTING SLOTS ON ALL SIDES

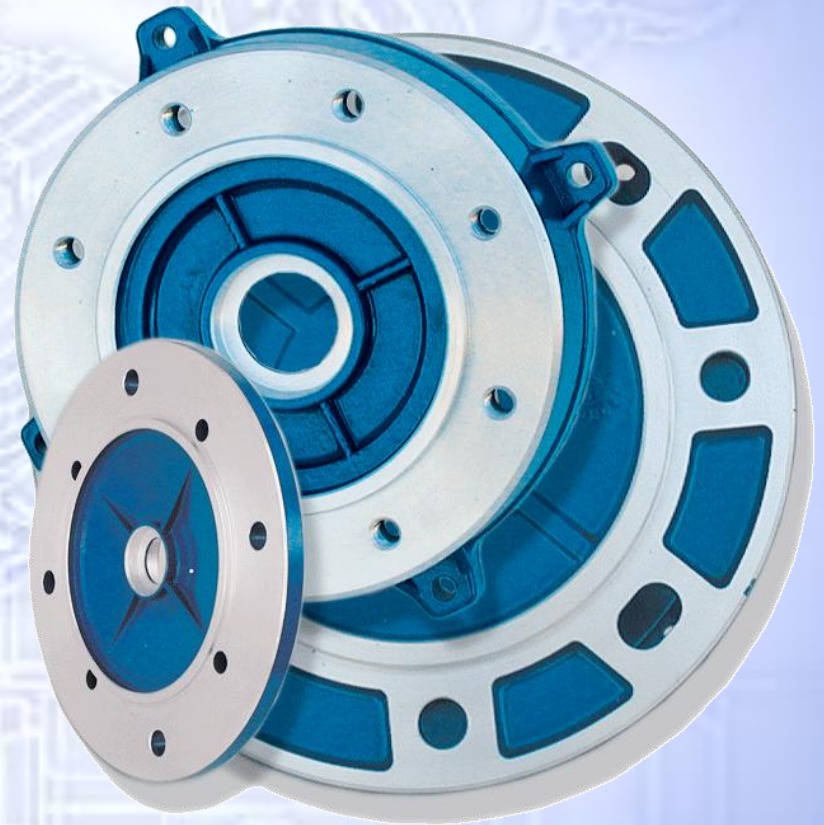




**ELECTRIC MOTORS N.A.**

# **FLANGES**

- STANDARD B5 AND B14
- B14 INCREASE FLANGES
- B5 AND B14 REDUCTION FLANGES
  
- CUSTOM FLANGES OR ADAPTOR PLATES ALSO AVAILABLE





**ELECTRIC MOTORS N.A.**

## HOW TO IDENTIFY

### C FLANGE –

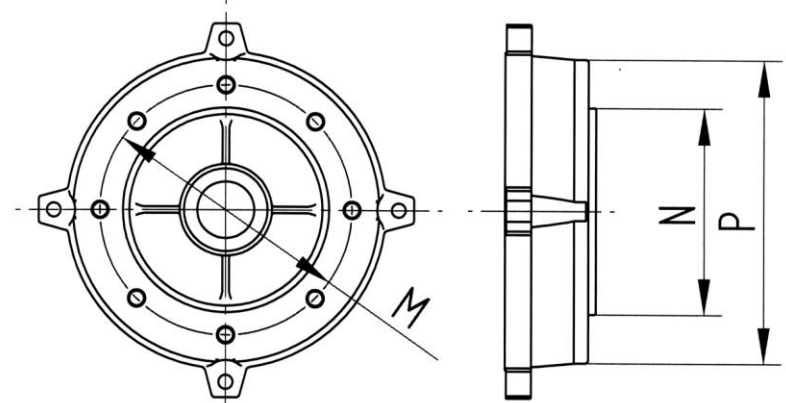
THREADED HOLES FOR MOUNTING

### D FLANGE –

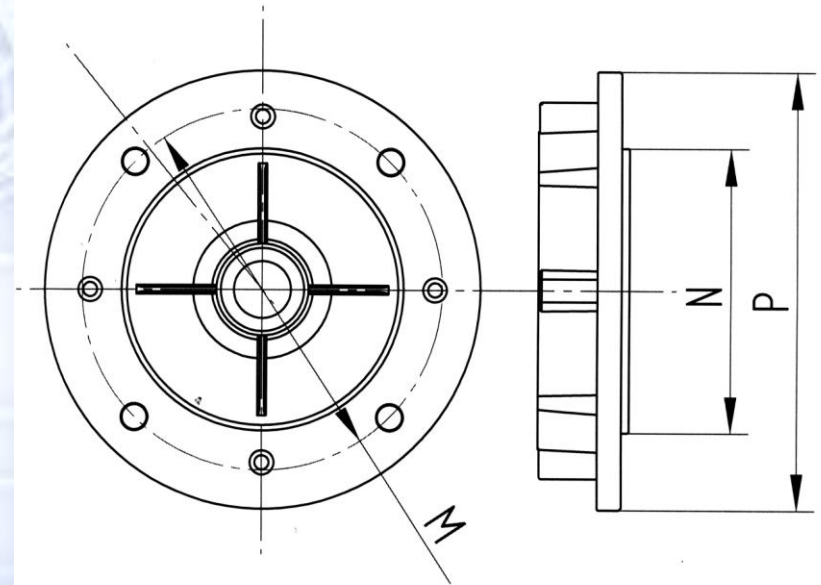
ALWAYS BOLT THROUGH

3 IMPORTANT DIMENSIONS TO MEASURE ARE THE P,N, AND M DIMENSIONS IN MILIMETERS

“C” FLANGE B14



“D” FLANGE B5







# ***DID YOU KNOW***

- WE CAN REPLACE 95% OF THE METRIC MOTORS FOUND ON EUROPEAN MACHINERY
- WITH 4 WAREHOUSES WE CAN OFFER SAME DAY SHIPPING ON ALL STOCK ITEMS
- QUICK TURNAROUND ON MODIFICATIONS – WE CAN DO SPECIAL SHAFTS, INSTALL THERMISTORS OR EXTERNAL BLOWER KITS, AND MUCH MORE. THIS ALLOWS US TO REPLACE MOST TYPES OF “SPECIAL” METRIC MOTORS
- IF WE DON'T STOCK IT WE CAN STILL FIND IT – WE WORK WITH MANY MANUFACTURES THROUGHOUT EUROPE
- REDUCE YOUR DOWN TIME AND INCREASE YOUR BOTTOM LINE
- REACH US ANY TIME AT **1 800 721 7916**